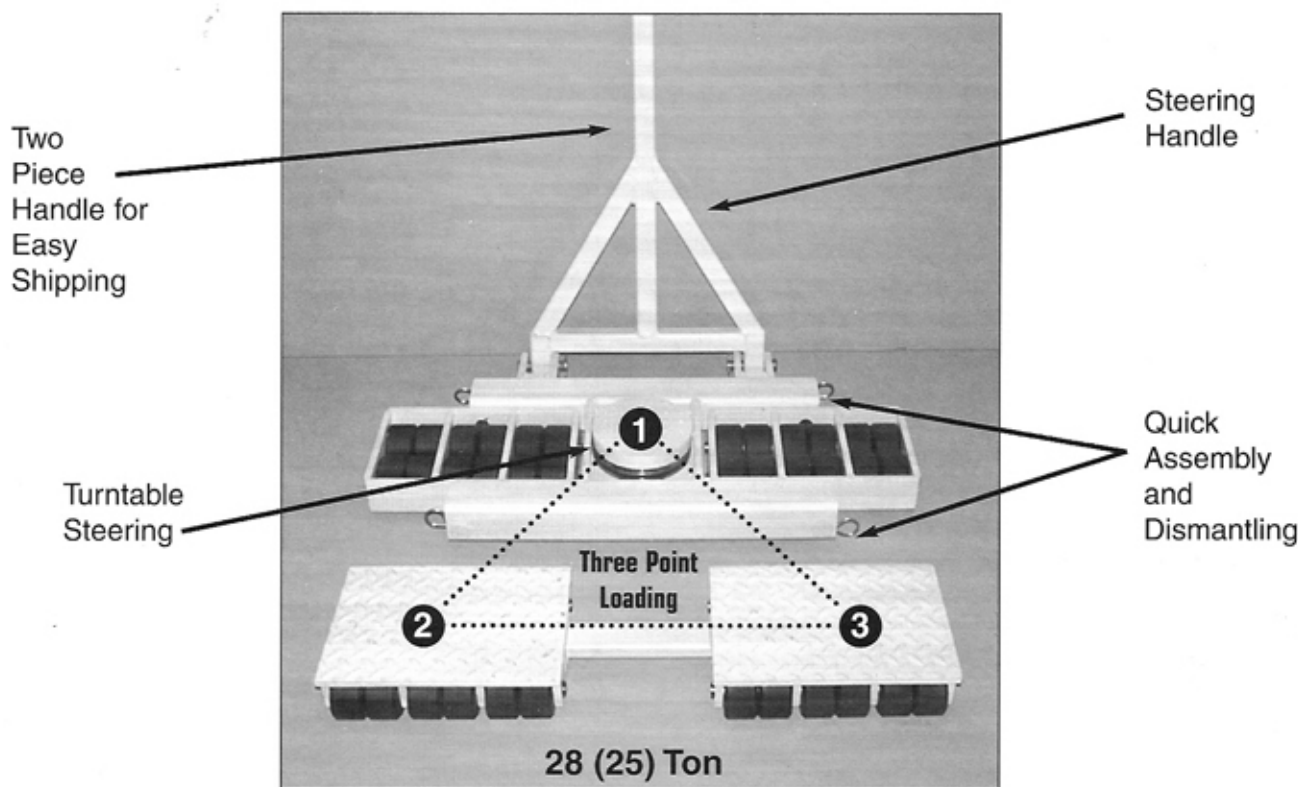


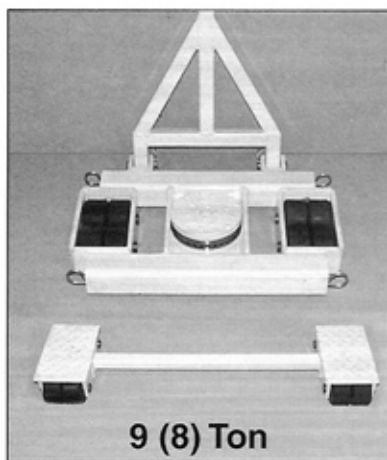
THE PROFESSIONAL WAY TO MOVE MACHINERY

From Rigging Gear Sales



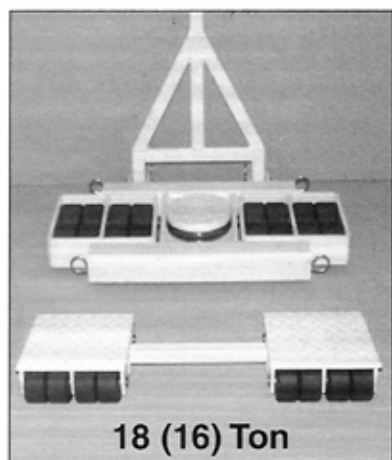
The Low Profile machinery moving dollies are manufactured to the highest specification levels. The 9 (8) ton, 18 (16) ton systems each have a single steerable front unit and an adjustable two point rear set to give a stable three point transportation arrangement.

The weight is distributed evenly over all of the wheels with a fully oscillating front assembly and a non-load bearing axle at the rear. This achieves optimum load sharing and ease of movement by a single person. The modular design of the dollies allows the addition of dolly components for greater carrying capacity.



The steerable unit has multiple wheels with low rolling resistance. These can be non-marking, super tough, impact resistant poly wheels or steel wheels, each with special anti-friction bearings.

Each two point rear dolly set also has multiple wheels of the same design, and in addition, has an adjustable axle which helps prevent misalignment of the dollies.



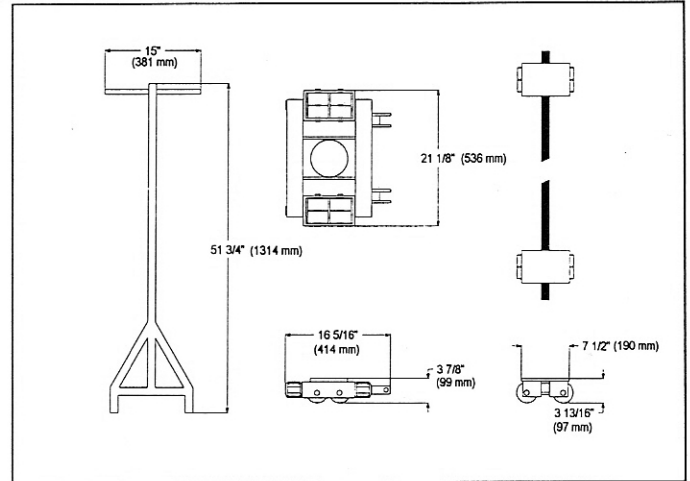
MODEL LP9, 9 (8) TON LOW PROFILE DOLLIES:

STERABLE FRONT UNIT:

Maximum Load 9,000 lbs. (4082 KGS)
 Wheels 3-1/4" dia. x 1-7/8" (82 mm dia. x 48 mm)
 Turntable 6" (152 mm dia)
 Overall Height 3-7/8" (99 mm)
 Handle Length 51-3/4" (1314 mm)
 Assembled Weight Incl. Handle 84 lbs. (38 KGS)
 Heavist Item 37 lbs. (17 KGS)

ADJUSTABLE REAR SYSTEM:

Maximum Load 9,000 lbs. (4082 KGS)
 Wheels 3-1/4" dia. x 1-7/8" (82 mm dia. x 48 mm)
 Load Area (2@) 5" x 7" (127 mm x 178 mm)
 Width Adjustment 20" - 60" (508 - 1524 mm)
 Overall Height 3-13/16" (97 mm)
 Assembled Weight 62 lbs. (28 KGS)
 Heavist Item 26 lbs. (12 KGS)



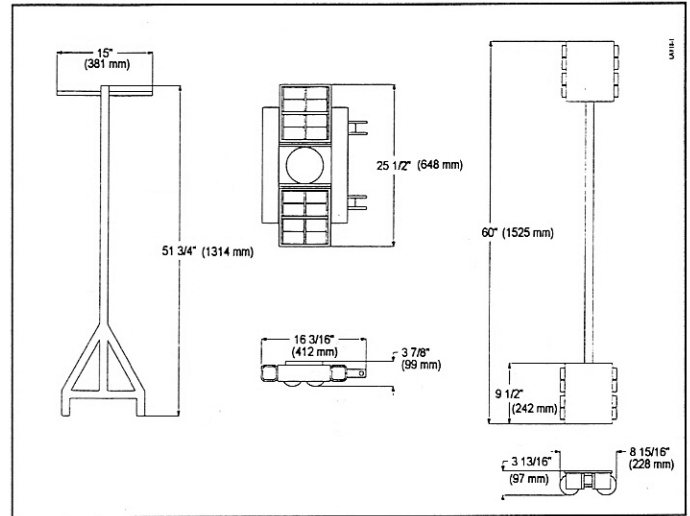
MODEL LP18, 18 (16) TON LOW PROFILE DOLLIES:

STERABLE FRONT UNIT:

Maximum Load 17,636 lbs. (8000 KGS)
 Wheels 3-1/4" dia. x 1-7/8" (82 mm dia. x 48 mm)
 Turntable 6" (152 mm dia)
 Overall Height 3-7/8" (99 mm)
 Handle Length 51-3/4" (1314 mm)
 Assembled Weight Incl. Handle 84 lbs. (38 KGS)
 Heavist Item 37 lbs. (17 KGS)

ADJUSTABLE REAR SYSTEM:

Maximum Load 17,636 lbs. (8000 KGS)
 Wheels 3-1/4" dia. x 1-7/8" (82 mm dia. x 48 mm)
 Load Area (2@) 9" x 7" (228 mm x 178 mm)
 Width Adjustment 20" - 60" (508 - 1524 mm)
 Overall Height 3-13/16" (97 mm)
 Assembled Weight 62 lbs. (28 KGS)
 Heavist Item 26 lbs. (12 KGS)



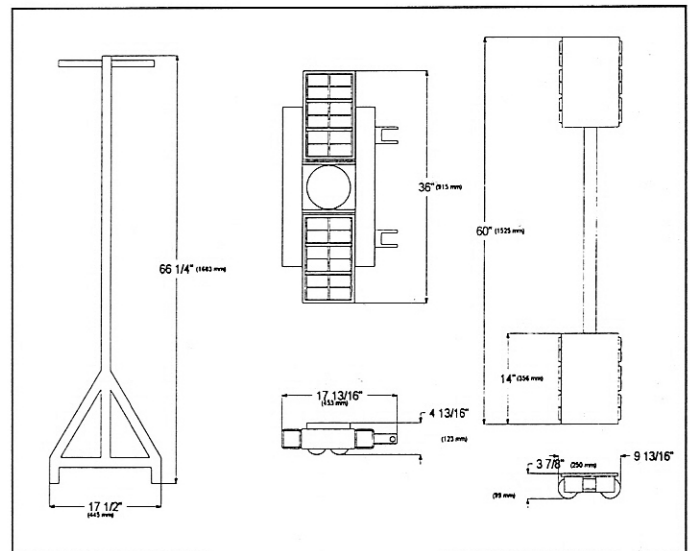
MODEL LP28, 28 (25) TON LOW PROFILE DOLLIES:

STERABLE FRONT UNIT:

Maximum Load 27,557 lbs. (12500 KGS)
 Wheels 3-1/4" dia. x 1-7/8" (82 mm dia. x 48 mm)
 Turntable 7" (178 mm dia)
 Overall Height 4-13/16" (123 mm)
 Handle Length 66-1/4" (1683 mm)
 Assembled Weight Incl. Handle 132 lbs. (60 KGS)
 Heavist Item 53 lbs. (24 KGS)

ADJUSTABLE REAR SYSTEM:

Maximum Load 27,557 lbs. (12500 KGS)
 Wheels 3-1/4" dia. x 1-7/8" (82 mm dia. x 48 mm)
 Load Area (2@) 9" x 13" (228 mm x 330 mm)
 Width Adjustment 20" - 60" (508 - 1524 mm)
 Overall Height 3-7/8" (99 mm)
 Assembled Weight 93 lbs. (42 KGS)
 Heavist Item 40 lbs. (18 KGS)



Distributed by:

RIGGING GEAR SALES, Inc.

Post Office Box 544 • Dixon, IL 61021
 (815) 288-6403 • Toll Free: (800) 728-4911
 Fax: (815) 288-6100