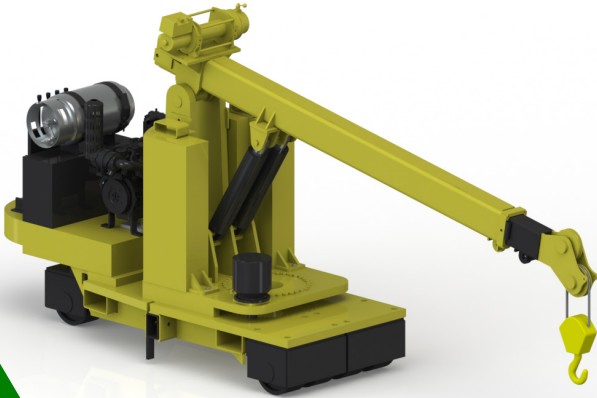




6.8 TONNE WALK BEHIND CRANE

by
LIFT SYSTEMS, INC.



***Global Leaders in Specialized
Lifting Equipment!***



WALK BEHIND CRANE

6.8 TONNE

STANDARD EQUIPMENT

ENGINE:

Kubota, 3 cylinder, 17 hp (12.68 kW), water cooled, propane engine

PUMP:

Gear Pump rated at 28.6 liters/min @ 138 bar

CONTROLS:

Separate controls for each function. Hydraulic lever controls allow for multiple functions to be performed at the same time.

DRIVE:

Full hydrostatic drive system powers all wheels.

WHEELS:

Front: qty. (4)

Diameter: 254 mm

Width: 127 mm

Rear: qty. (2)

Diameter: 254 mm

Width: 127 mm

Replaceable polyurethane composition

STEERING:

90° steering with electric over hydraulic, push button control.

FLOOR LOADING:

54.4 kg/cm² with maximum load.

HYDRAULIC RESERVOIR:

56.8 liters (15 gallons)

BOOM ROTATION:

220° slewing capability. Outriggers must be in the out and down position when slewing.

Boom is locked from rotation when outriggers are not extended.

BOOM ANGLE RANGE:

-5° to +74° degrees

BOOM LIFT CYLINDERS:

Dual cylinders capable of lifting and lowering with a full load. Integral safety holding valve.

BOOM TELESCOPE CYLINDER:

Single cylinder capable of telescoping the boom in and out with a full load. Integral safety holding valve.

WINCH:

High performance hydraulic winch. Integral, full load brake. 33.5 m of 11.1 mm wire rope standard.

BLOCK:

9 tonne single sheave block standard. Low profile with swivel hook.

POWER BOOM AND MAIN BOOM**LIFTING EYES:**

Qty. (1) located on power boom and qty. (1) located on main boom each with 2.72 tonne capacity.

WEIGHT:

7,414 kg base unit + counterweights

5,272 kg without counterweights

TIE DOWN EYES:

Tie down eyes installed for securing unit during transport of the unit.

ANTI-TWO-BLOCK DEVICE:

Safety device installed to prevent hook block from contacting boom.

OTHER STANDARD FEATURES:

Travel alarm, horn, and strobe light.

OPTIONAL EQUIPMENT

RADIO REMOTE CONTROL:

Radio remote control allows full machine functionality from a wireless radio remote. Allows operator optimal view of load. Emergency safety shutdown switch is standard.

JIB EXTENSION:

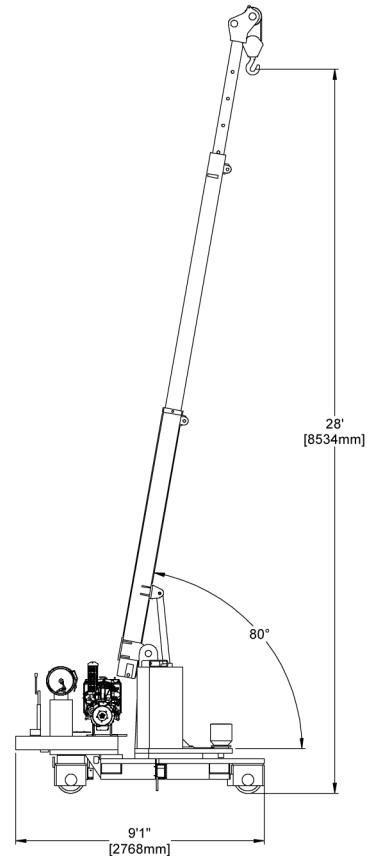
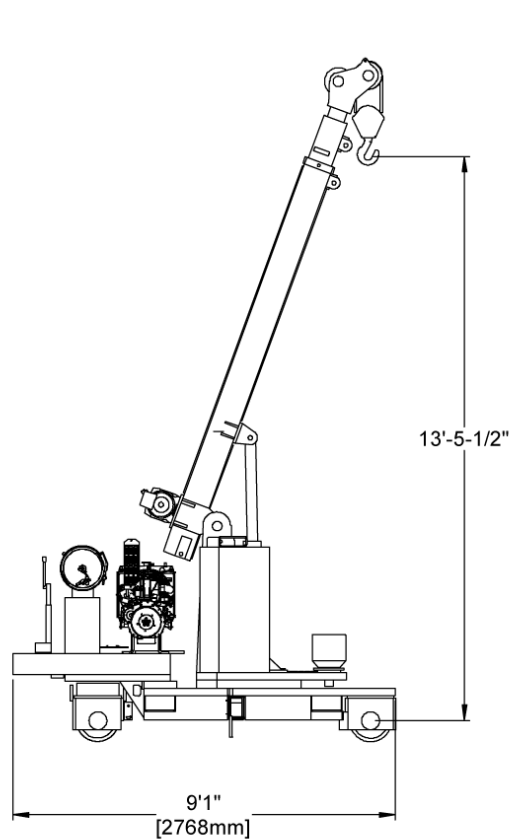
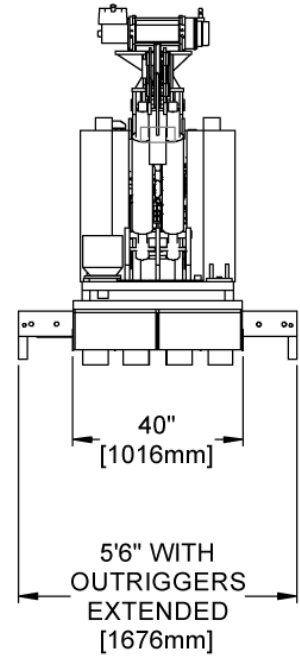
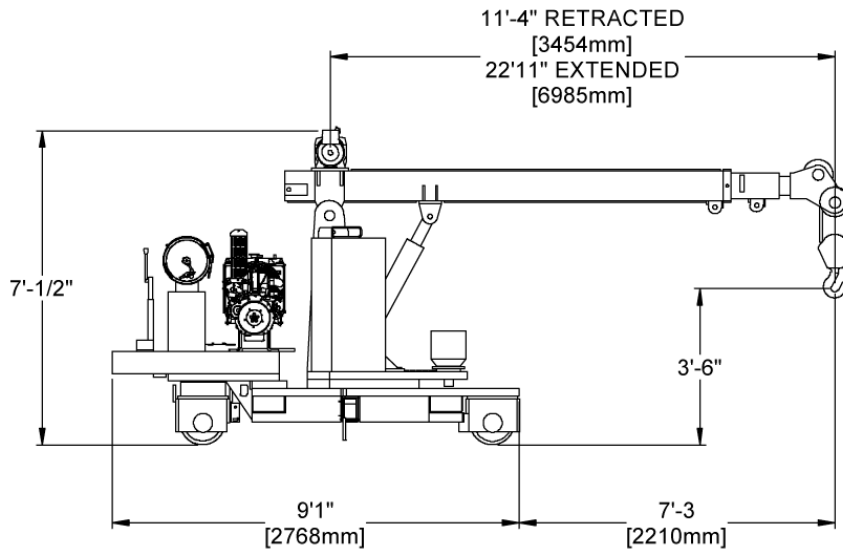
Consult factory for available capacities and lengths.



WALK BEHIND CRANE

6.8 TONNE

DIMENSIONAL DATA

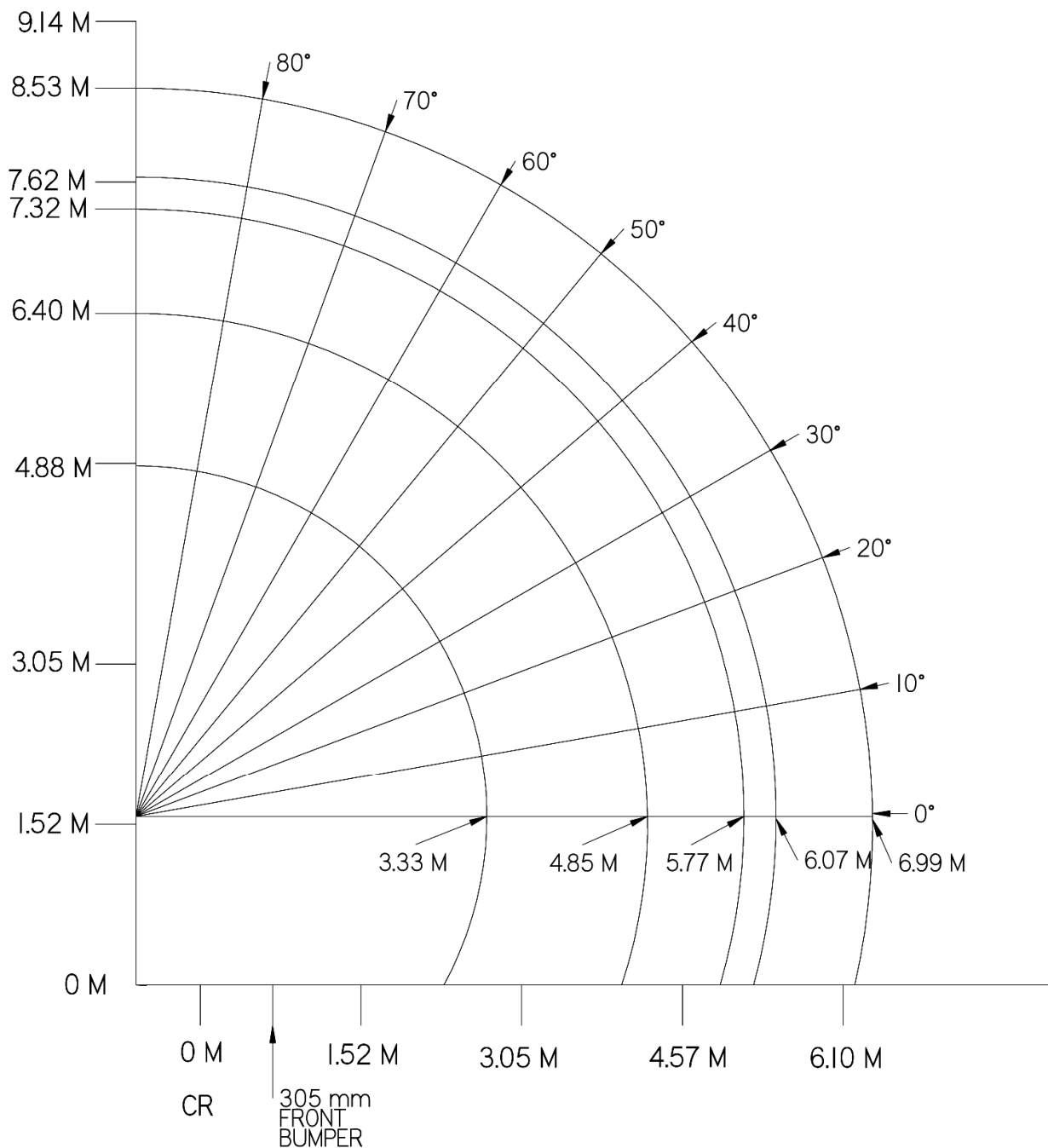




WALK BEHIND CRANE

6.8 TONNE

RANGE DIAGRAM



NOTE

1. The above chart is for reference purposes only.
2. Never use the above chart for lift planning calculations
3. Lift plan calculations are to be determined solely by the load charts and range diagrams that are issued for the specific serial numbered machine that is to be used for the specific planned lift.



WALK BEHIND CRANE

6.8 TONNE

LOAD CHARTS FOR BASE UNIT WITH FULL COUNTERWEIGHT

CAPACITY OVER FRONT OF MACHINE (kg.) - Metric							CAPACITY OVER SIDE OF MACHINE - 90° (kg.) - Metric (OUTRIGGERS REQUIRED)						
OPERATING RADIUS (Meters)		HYDRAULIC SECTION		MANUAL SECTION		JIB SECTION	OPERATING RADIUS (Meters)		HYDRAULIC SECTION		MANUAL SECTION		JIB SECTION
CENTRE OF ROTATION	FRONT OF MACHINE	Retracted	Extended	Retracted	Extended	Extended	CENTRE OF ROTATION	FRONT OF MACHINE	Retracted	Extended	Retracted	Extended	Extended
		3.33M	4.85M	5.77M	6.07M				3.33M	4.85M	5.77M	6.07M	
0.91	0.23	6,803	4,989	4,875	4,007		0.91	0.12	6,803	4,989	4,875	4,007	
1.22	0.53	5,986	4,524	4,263	3,490	3,141	1.22	0.43	5,986	4,524	4,263	3,490	3,141
1.52	0.84	4,807	4,354	3,748	3,102	2,794	1.52	0.73	4,807	4,354	3,748	3,102	2,794
1.83	1.14	4,308	3,855	3,315	2,757	2,483	1.83	1.04	4,000	3,855	3,315	2,757	2,483
2.13	1.45	3,832	3,492	3,016	2,499	2,249	2.13	1.34	3,188	3,188	3,016	2,499	2,249
2.44	1.75	3,265	3,175	2,714	2,283	2,054	2.44	1.65	2,503	2,381	2,381	2,283	2,054
2.74	2.06	2,844	2,844	2,494	2,111	1,900	2.74	1.95	2,245	2,245	2,245	2,111	2,109
3.05	2.36		2,531	2,327	1,982	1,785	3.05	2.26		1,939	1,939	1,939	1,939
3.35	2.67		2,283	2,154	1,853	1,667	3.35	2.56		1,707	1,707	1,707	1,707
3.66	2.97		2,079	2,025	1,723	1,551	3.66	2.87		1,519	1,519	1,519	1,519
3.96	3.28		1,916	1,896	1,637	1,474	3.96	3.17		1,361	1,361	1,361	1,361
4.27	3.58		1,780	1,766	1,508	1,361	4.27	3.48		1,234	1,234	1,234	1,234
4.57	3.89			1,658	1,465	1,338	4.57	3.78			1,125	1,125	1,125
4.88	4.19			1,560	1,379	1,311	4.88	4.09			1,029	1,029	1,029
5.18	4.50	1) Capacities over front and side are pick & carry		1,474	1,336	1,270	5.18	4.39	1) Capacities over front and side are pick & carry		948	948	948
5.49	4.80	2) Capacities over front and side are 85% of tipping			1,293	1,249	5.49	4.70	2) Capacities over front and side are 85% of tipping			873	873
5.79	5.11	3) Capacities above bold line are limited by structural				1,163	5.79	5.00	3) Capacities above bold line are limited by structural				814
6.10	5.41	4) Outriggers must be fully extended and lowered when rotating boom				1,061	6.10	5.31	4) Outriggers must be fully extended and lowered when rotating boom				719
6.40	5.72	5) User must deduct all loads on cable including the hook block (32 kg.), rigging, etc.				1,020	6.40	5.61	5) User must deduct all loads on cable including the hook block (32 kg.), rigging, etc.				673

NOTE:

Specifications are provided in metric dimensions. All equipment dimensions, designs, specifications, calculations, etc., as described, are subject to change at manufacturer's discretion at any time and without notice. Weights are approximate and may vary. Data herein is for informational purposes only and will not be construed to guarantee suitability of equipment for any particular as performance may vary with conditions encountered. Warranty will apply as written in standard contract form upon purchase of equipment. Capacities are for reference only and must not be used for any serial numbered machine. Serial numbered load charts may be obtained from Lift Systems, Inc.

LIFT SYSTEMS, INC.

OFFICE:
1505 - 7th Street
East Moline, IL 61244

MAILING ADDRESS:
P.O. Box 906
Moline, IL 61266

TEL: +1-309-764-9842
FAX: +1-309-764-9848
EMAIL: liftit@lift-systems.com
WEB: www.lift-systems.com