



MODEL 24PT800WT

800 Ton POWER TOWER Gantry System

CAPACITY:

4 Point

800 (726) Tons to 35' (10,668 mm)

2 Point

400 (363) Tons to 35' (10,668 mm)

Max. Operating PSI: 2600 (179 bar)

BASE DIMENSIONS:

Length: 84" (2,133 mm)

Width: 48" (1,219 mm)

Height Retracted: 15'0" (4,572mm)

Weight: 19,000 lbs. (8,626 kg)

POWER UNITS:

Two (2) 300 gallon (1136 L) Power Units per four point system

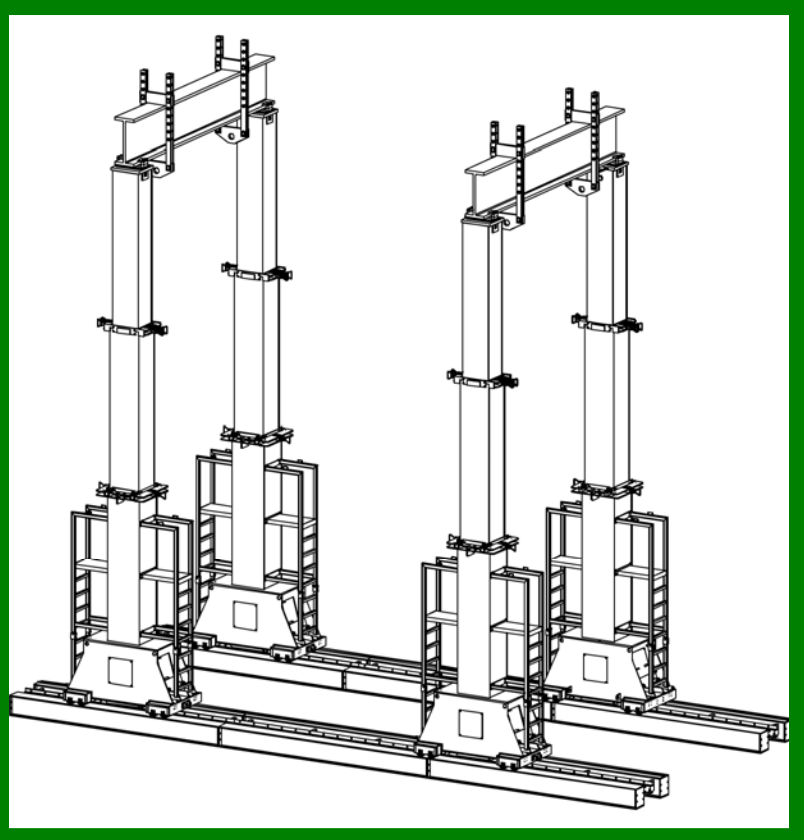
Power Options: Diesel, Gasoline, Propane, Electric (3 phase, 440 Volt, 60 Hz; or 3 Phase, 380 Volt, 50Hz)

Length: 92.5" (2350 mm)

Width: 61.5" (1562 mm)

Height: 61" (1549 mm)

Weight: 5250 lbs. (2384 kg)



STANDARD FEATURES

- Straightest Booms in the Industry
- Large Lift Lugs
- Safety Holding Valves
- Wedge Inter-Lock System
- Large Work Platforms
- Double Acting Cylinders

LIFT SYSTEMS, INC.

OFFICE:

1505 - 7th Street
East Moline, IL 61244

MAILING ADDRESS:

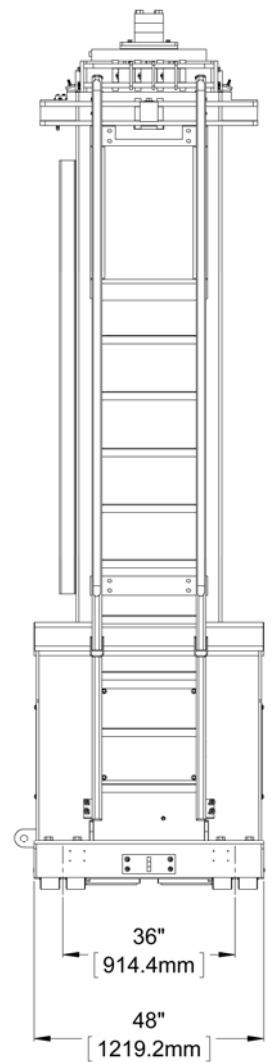
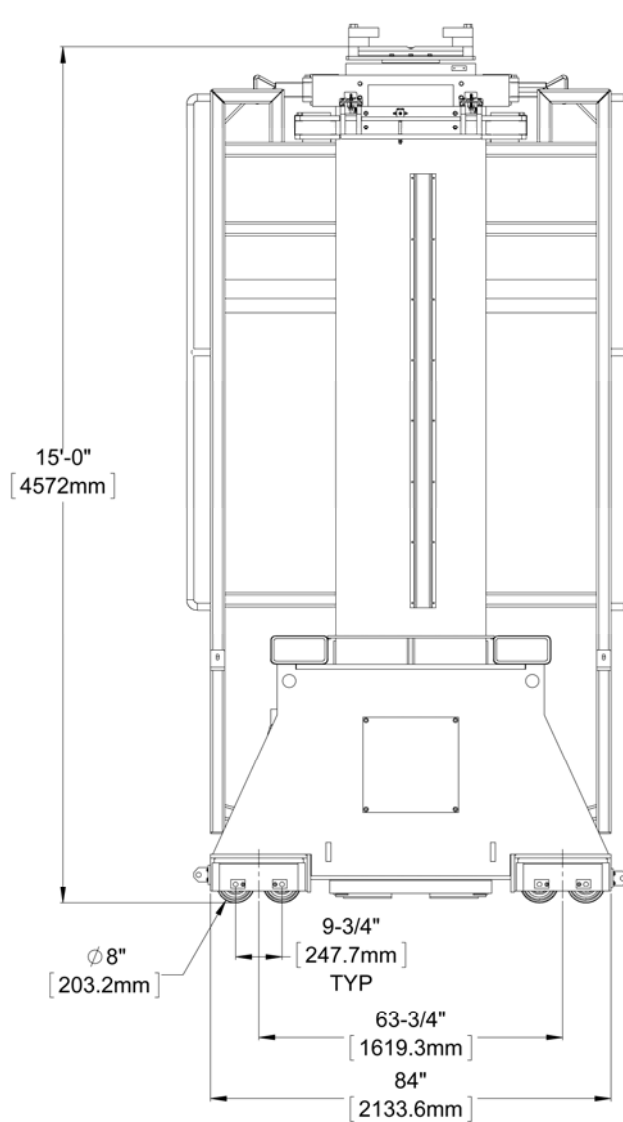
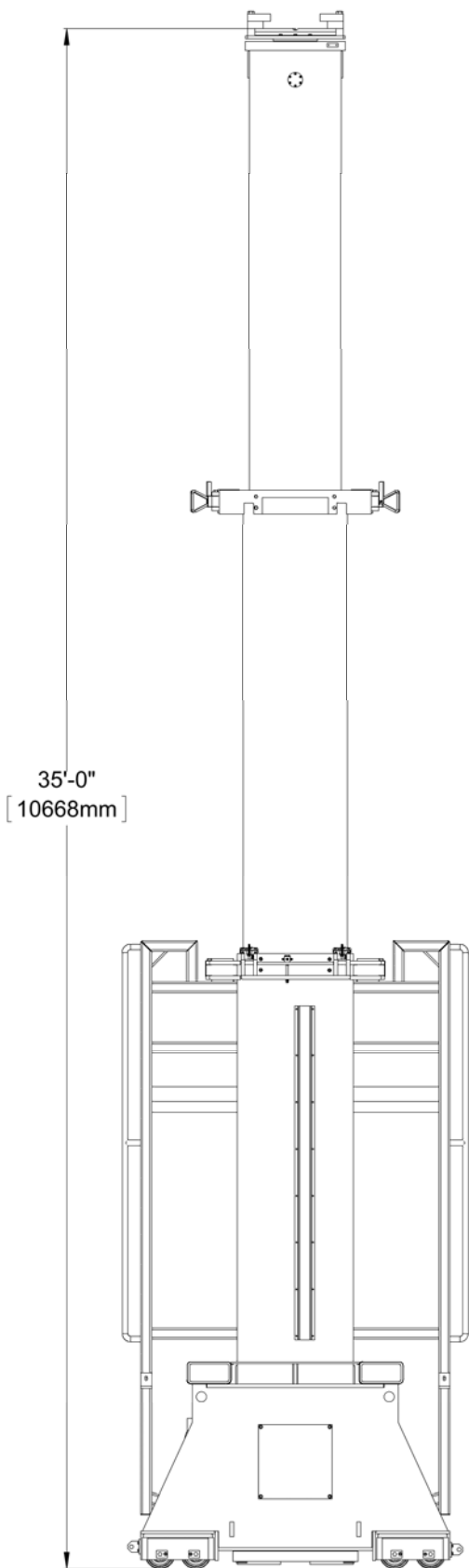
P.O. Box 906
Moline, IL 61266

TEL: +1-309-764-9842

FAX: +1-309-764-9848

EMAIL: info@lift-systems.com

WEB: www.lift-systems.com



MODEL 24PT800WT

Metric dimensions [mm]

LIFT SYSTEMS

MODELS 24PT800 XT/XLT/XWT CAPACITY LOAD CHART
800 (725) TON 4 POINT LIFT SYSTEM

PRESSURE	2,600	2,200	2,000	1,800	1,600	1,400	1,200	1,000	800	600	400	200
	179	152	138	124	110	97	83	69	55	41	28	14
35' 0" (10,668 mm) 2nd STAGE	800 TON (725)	677 TON (614)	615 TON (557)	554 TON (502)	492 TON (446)	431 TON (390)	369 TON (334)	307 TON (278)	246 TON (223)	184 TON (166)	123 TON (111)	61 TON (55)
25' 0" (7,620 mm) 1st STAGE	800 TON (725)	677 TON (614)	615 TON (557)	554 TON (502)	492 TON (446)	431 TON (390)	369 TON (334)	307 TON (278)	246 TON (223)	184 TON (166)	123 TON (111)	61 TON (55)

15' 0"
(4,572 mm)

LIFT SYSTEMS, INC.

OFFICE:
1505 - 7th Street
East Moline, IL 61244

MAILING ADDRESS:
P.O. Box 906
Moline, IL 61266

TEL: +1-309-764-9842
FAX: +1-309-764-9848
EMAIL: info@lift-systems.com
WEB: www.lift-systems.com