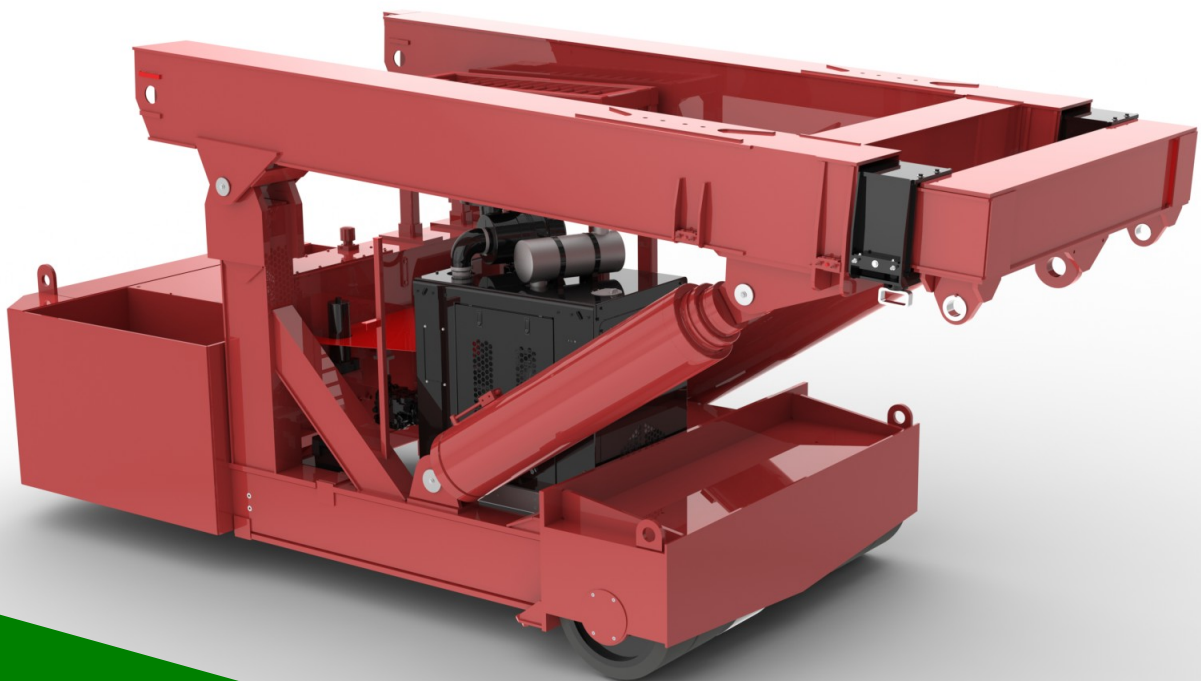




100 TONNE TWINLIFT

by
LIFT SYSTEMS, INC.



***Global Leaders in Specialized
Lifting Equipment!***



TWINLIFT

100 TONNE

STANDARD EQUIPMENT

ENGINE:

Cummins Diesel Engine: QSB4.5P
116 kW (160 hp) intermittent @ 2500 rpm
U.S. EPA Tier 3
CARB Tier 3
EU Stage III
Torque @ 1500 rpm, 632 N-m (466 ft-lbs)

PUMP:

Sundstrand 90 series drive pump

CONTROL SYSTEM:

CARL (Computer Assisted Remote Lifting) Control System.
Monitors Boom Angle, Boom Extension, Pressure, Counterweight Load Pin. Automatic Shutdown for overload conditions. Large easy to read display screen with push button navigation and dial adjustment.

CONTROLS:

Separate controls for each function.
Combination of foot pedal, joystick, and push button controls allows for multiple functions to be performed at the same time.

DRIVE:

Poclain MK35 drive motors (qty. 3)
(2) in front, (1) in rear steering box.

WHEELS:

Front: qty. (4)
Diameter: 711mm
Width: (2) @ 610 mm and (2) @ 406 mm
Rear: qty. (2)
Diameter: 711 mm
Width: 406 mm
Replaceable polyurethane composition

STEERING:

90 degree steering of rear wheels.

OSCILLATING REAR STEERING BOX:

Keeps all steering wheels in contact with ground.

GRADABILITY:

Unloaded maximum grade is 20%
Loaded maximum grade is 8%

GROUND BEARING PRESSURE:

Loaded Front Tires: 44.5 kg/cm² maximum
Unloaded Rear Tires: 35.3 kg/cm² maximum

TRAVEL SPEED UNLOADED:

Travel Mode - High Gear = 0.0 to 2.73 km/h
Travel Mode - Low Gear = 0.0 to 1.38 km/h
Work Mode - Low Gear = 0.0 to 0.67 km/h

TELESCOPING COUNTERWEIGHT:

Standard counterweight section telescopes 1524mm using (2) hydraulic cylinders. Push button control.

HYDRAULIC RESERVOIR:

606 liters (160 gallons)

BOOM LIFT CYLINDERS:

Twin cylinders capable of lifting and lowering with a full load. Safety holding valves installed on both cylinders. Spherical bearings ensure constant alignment with the boom.

BOOM TELESCOPE CYLINDERS:

Twin cylinders capable of telescoping the boom in and out with a full load. Safety holding valves are installed on both cylinders.

LIFTING EYES:

Qty. (1) centrally located on boom with 100 tonne capacity
Qty. (2) located on corners of boom with 50 tonne capacity each

WINCH MOUNT:

Standard mount for optional winch

WEIGHT:

26,400 kg
Standard "A" counterweight included

COUNTERWEIGHTS:

"A" - non-removable counterweight installed in unit
"B" - qty. (2) - 3,501 kg each. - 7002 kg total
"C" - qty. (1) - 4,175 kg
"D" - qty. (1) - 4,175 kg
"E" - qty. (1) - 4,175 kg

TIE DOWN / LIFTING EYES:

Tie down / lifting eyes installed for securing unit during transport and for lifting of the unit.

DRIVER PROTECTION GUARD:

Structural overhead guard for operator protection.

OTHER STANDARD FEATURES:

Back up alarm, horn, strobe light, operator seat complete with safety belt and electric switch.

OPTIONAL EQUIPMENT

RADIO REMOTE CONTROL:

Radio remote control allows full machine functionality from a wireless radio remote. Allows operator optimal view of load. Emergency safety shutdown switch is standard.

100 TONNE SPINNER:

Allows for 360 degree rotation of load

HYDRAULIC WINCH:

Consult factory for available capacities

FORKLIFT ATTACHMENT:

Consult factory for available capacities

JIB EXTENSION:

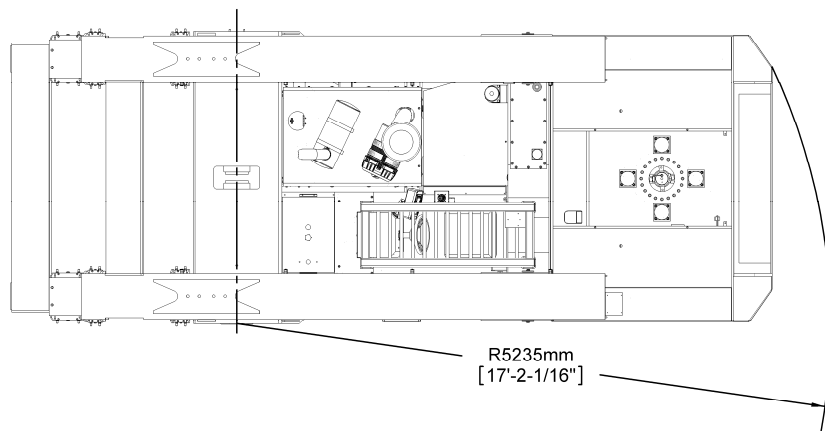
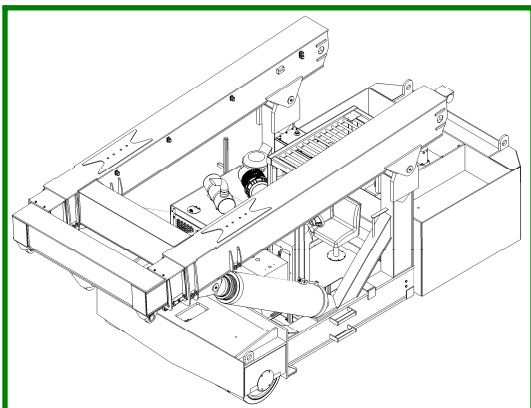
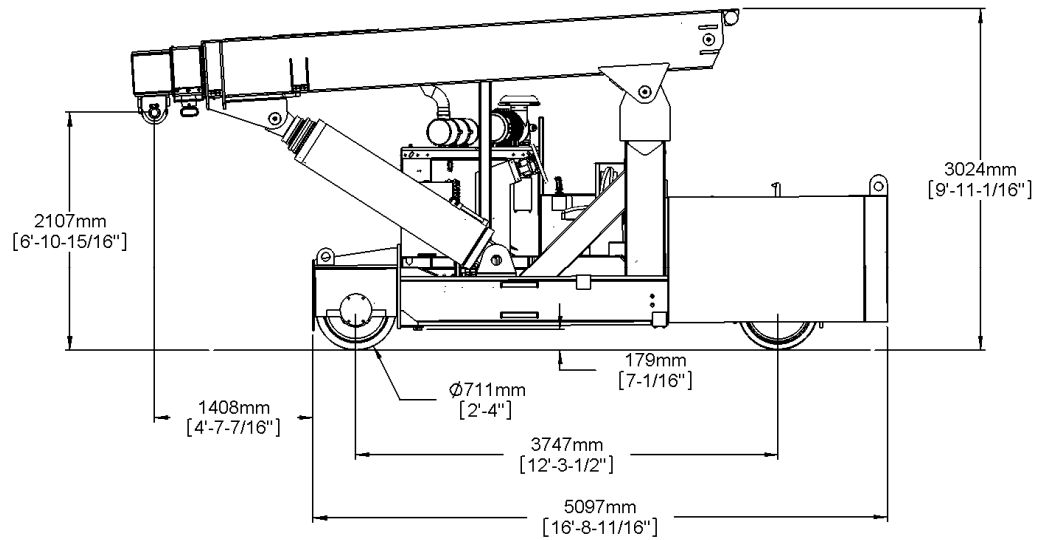
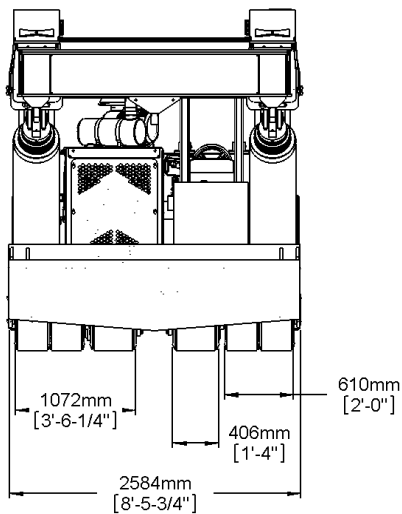
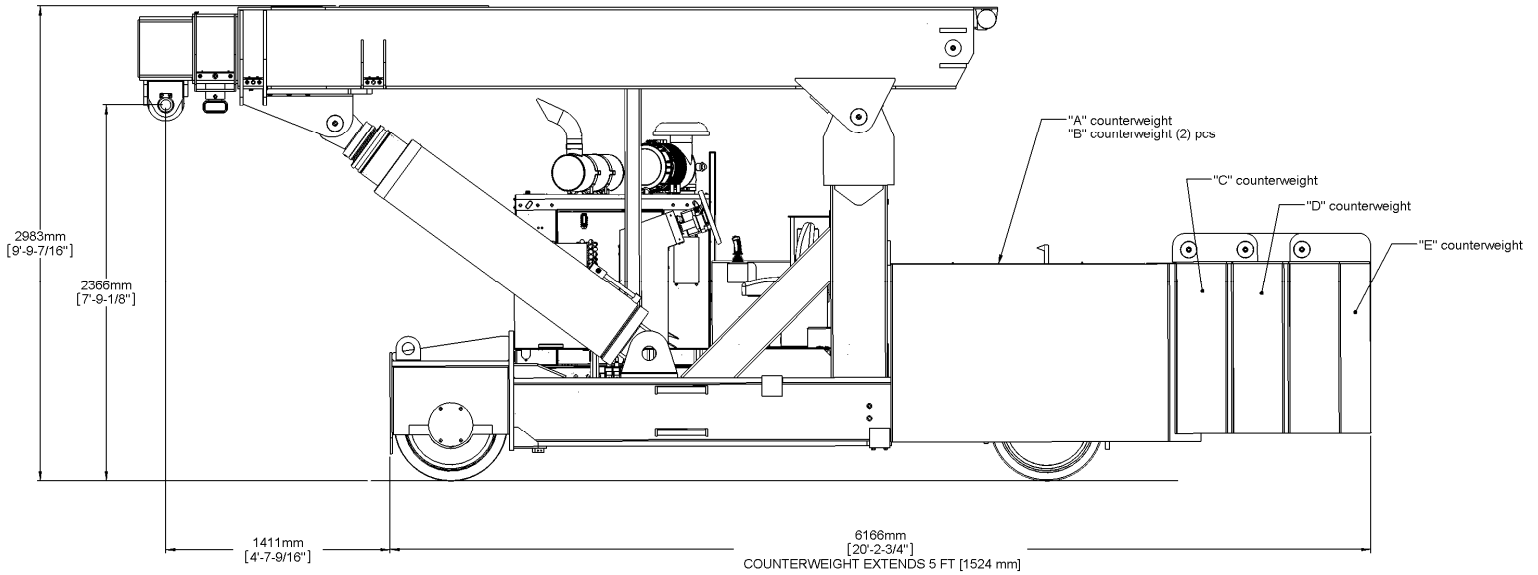
Consult factory for available capacities



TWINLIFT

100 TONNE

DIMENSIONAL DATA

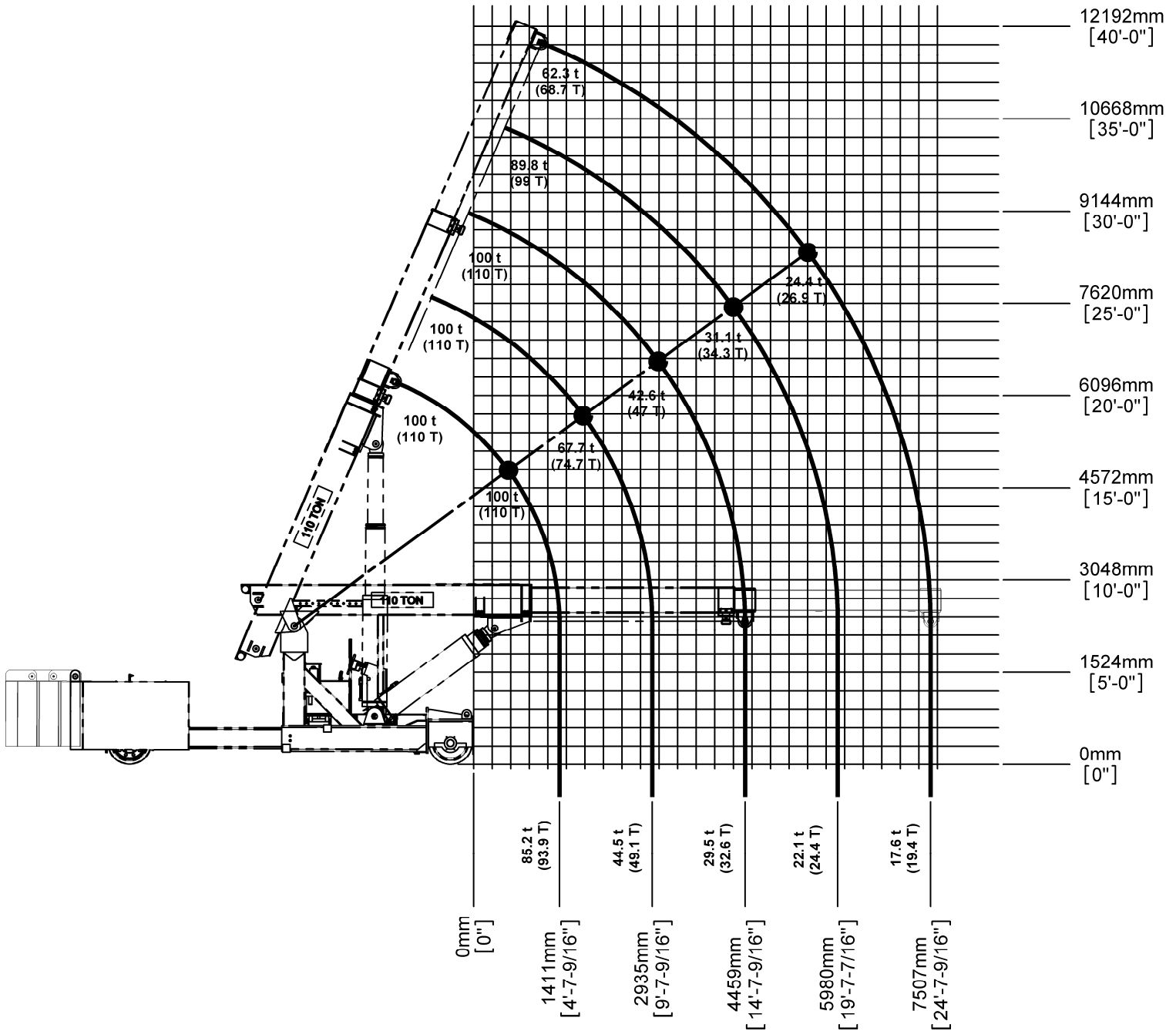




TWINLIFT

100 TONNE

REFERENCE CAPACITY / RANGE DIAGRAM



NOTE

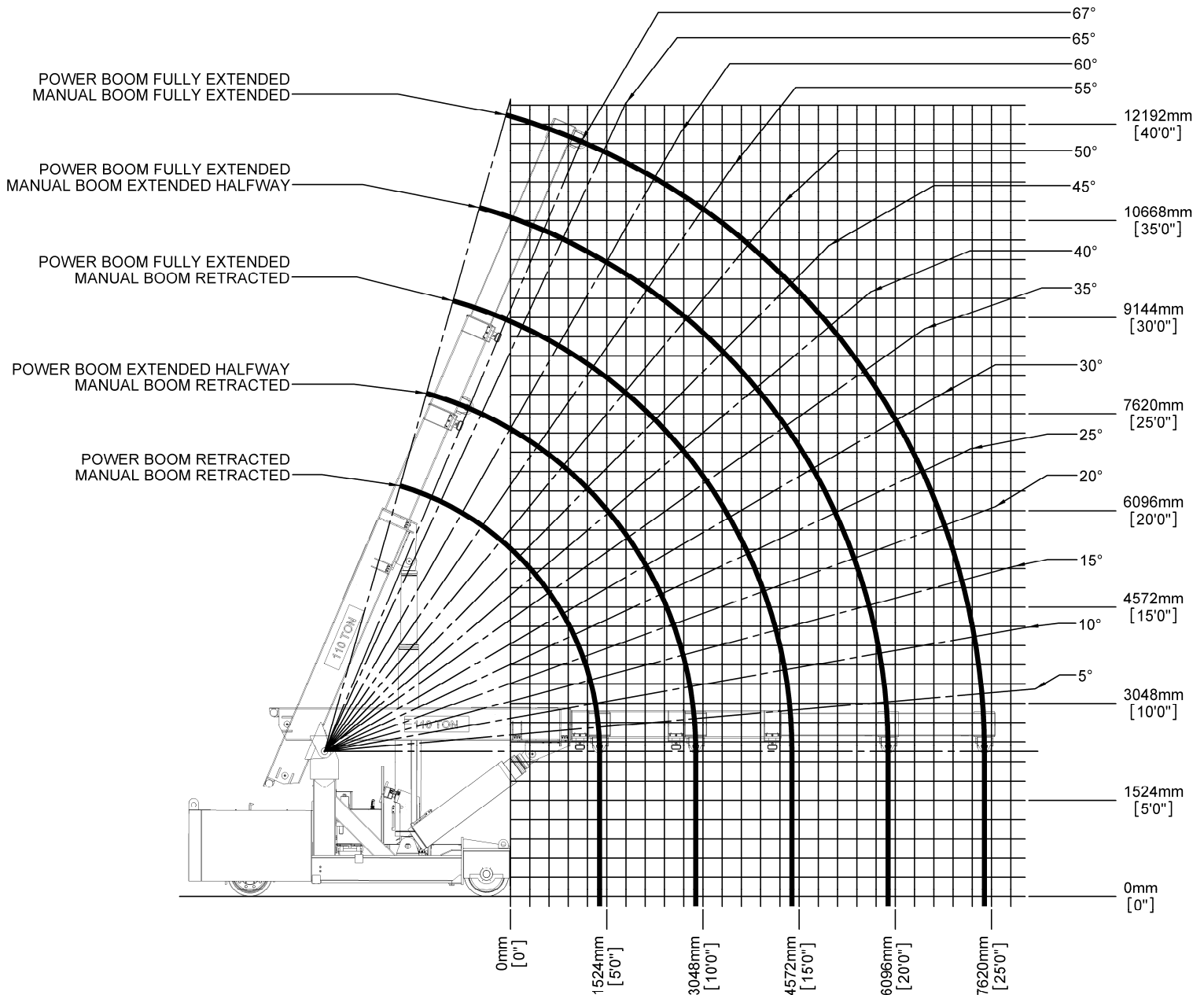
1. The above chart is for reference purposes only.
2. Never use the above chart for lift planning calculations
3. Lift plan calculations are to be determined solely by the load charts and range diagrams that are issued for the specific serial numbered machine that is to be used for the specific planned lift.



TWINLIFT

100 TONNE

RANGE DIAGRAM



NOTE

1. The above chart is for reference purposes only.
2. Never use the above chart for lift planning calculations
3. Lift plan calculations are to be determined solely by the load charts and range diagrams that are issued for the specific serial numbered machine that is to be used for the specific planned lift.



TWINLIFT

100 TONNE

LOAD CHARTS FOR "A", "B", AND "C" COUNTERWEIGHT

LOAD RADIUS (METERS FROM FRONT)	100 TONNE TWINLIFT LOAD CHART										TLLC147 4/16/2010					
	FOR USE WITH LIFTING EYE ONLY STANDARD NON-REMOVABLE "A" COUNTERWEIGHT WITH "B", "C" COUNTERWEIGHT ADDED										SECTION SEE NOTES					
	FULLY EXTENDED BOOM LENGTH (METERS)					FULLY RETRACTED BOOM LENGTH (METERS)										
△°	5.03	6.55			8.08	9.60	11.13	△°	5.03	6.55			8.08	9.60	11.13	
-1.22	66	100,000						66	100,000							
-0.91	61	100,000						61	100,000							
-0.61	56	100,000	66	100,000				56	100,000	66	100,000					
-0.30	51	100,000	62	100,000				51	100,000	62	100,000					
0.00	46	100,000	59	100,000	66	100,000		46	100,000	59	100,000	66	100,000			
0.30	40	100,000	55	100,000	63	100,000		40	100,000	55	100,000	63	99,900			
0.61	33	99,900	52	99,900	60	100,000	66	33	80,000	52	79,700	60	79,600	66	80,500	
0.91	25	80,800	48	80,800	58	80,500	64	25	60,500	48	60,400	58	60,200	64	61,000	
1.22	14	64,900	44	64,700	55	64,600	61	14	48,500	44	48,300	55	48,300	61	48,900	
1.37	0	58,200						0	43,500						49,300	
1.52	SEE NOTE "E"		39	53,900	52	53,800	59	39	40,200	52	40,100	59	40,600	64	41,000	
1.83			34	46,100	49	46,000	57	34	34,300	49	34,200	57	34,700	62	35,100	
2.13			29	40,200	46	40,100	55	29	29,800	46	29,700	55	30,200	60	30,600	
2.44			22	35,600	42	35,500	52	22	26,300	42	26,200	52	26,700	58	27,000	
2.74			12	31,800	39	31,700	50	12	23,400	39	23,400	50	23,800	56	24,100	
2.90			0	30,000				0	22,100				21,500			
3.05					35	28,700	47			35	21,000	47	19,500	54	21,800	
3.35					31	26,100	44			31	19,100	44	17,900	52	19,800	
3.66					26	23,900	41			26	17,500	41	16,400	50	18,100	
3.96					20	22,100	38			20	16,100	38	15,200	48	16,700	
4.27					11	20,500	35			11	14,800	35	14,000	46	15,500	
4.42					0	19,600				0	14,200					
4.57							32						32	14,100	43	14,400
4.88							28						28	13,100	41	13,400
5.18							23						23	12,300	38	12,500
5.49							18						18	11,500	35	11,700
5.79							10						10	10,800	32	11,100
5.94							0						0	10,500		
6.10															29	10,400
6.40															26	9,900
6.71															22	9,300
7.01															17	8,900
7.32															9	8,400
7.47															0	8,200

NOTES:
 A) MANUAL FLY SECTION CAPACITIES ARE LIMITED BY ANGLE. DO NOT USE LOAD RADIUS WHEN USING MANUAL FLY SECTION.
 B) RATINGS ABOVE THE BOLD LINE ARE BASED ON THE MACHINE'S HYDRAULIC OR STRUCTURAL STRENGTH AND NOT STABILITY.
 C) RATINGS BELOW THE BOLD LINE ARE BASED ON 85% OF TIPPING.
 D) ALL CAPACITIES ARE IN KILOGRAMS.
 E) TELESCOPE CYLINDERS MUST BE FULLY RETRACTED AND AGAINST STOPS.
 F) BOOM LENGTH IS FROM REAR OF BOOM TO CENTER OF LIFT EYE.

CAUTION!
 DO NOT EXTEND OR RETRACT COUNTERWEIGHT WITH ANY LOAD SUSPENDED ON HOOK OR FORKS.

LOAD CHARTS FOR "A", "B", "C", AND "D" COUNTERWEIGHT

LOAD RADIUS (METERS FROM FRONT)	100 TONNE TWINLIFT LOAD CHART										TLLC148 4/16/2010					
	FOR USE WITH LIFTING EYE ONLY STANDARD NON-REMOVABLE "A" COUNTERWEIGHT WITH "B", "C", "D" COUNTERWEIGHT ADDED										SECTION SEE NOTES					
	FULLY EXTENDED BOOM LENGTH (METERS)					FULLY RETRACTED BOOM LENGTH (METERS)										
△°	5.03	6.55			8.08	9.60	11.13	△°	5.03	6.55			8.08	9.60	11.13	
-1.22	66	100,000						66	100,000							
-0.91	61	100,000						61	100,000							
-0.61	56	100,000	66	100,000				56	100,000	66	100,000					
-0.30	51	100,000	62	100,000				51	100,000	62	100,000					
0.00	46	100,000	59	100,000	66	100,000		46	100,000	59	100,000	66	100,000			
0.30	40	100,000	55	100,000	63	100,000		40	100,000	55	100,000	63	99,900			
0.61	33	100,000	52	100,000	60	100,000	66	33	98,200	52	98,000	60	99,900	66	89,800	
0.91	25	98,700	48	98,600	58	98,200	64	25	74,500	48	74,300	58	97,800	64	74,900	
1.22	14	79,500	44	79,200	55	79,100	61	14	59,800	44	59,600	55	74,200	61	60,200	
1.37	0	71,400						0	53,700						60,600	
1.52	SEE NOTE "E"		39	66,100	52	66,000	60	39	49,700	52	49,500	60	50,100	64	50,600	
1.83			34	56,600	49	56,600	59	34	42,500	49	42,400	59	42,900	62	43,300	
2.13			29	49,500	46	49,400	57	29	37,000	46	37,000	57	37,400	60	37,700	
2.44			22	43,800	42	43,800	52	22	32,700	42	32,700	52	33,100	58	33,400	
2.74			12	39,300	39	39,200	50	12	29,300	39	29,300	50	29,600	56	29,900	
2.90			0	37,100				0	27,600				0			
3.05					35	35,500	47			35	29,200	47	26,800	54	27,000	
3.35					31	32,400	44			31	26,300	44	24,400	52	24,700	
3.66					26	29,700	41			26	23,900	41	22,300	50	22,600	
3.96					20	27,400	38			20	21,900	38	20,600	48	20,900	
4.27					11	25,500	35			11	20,200	35	19,100	46	19,400	
4.42					0	24,400				0	18,000					
4.57							32						32	17,700	43	18,000
4.88							28						28	16,600	41	16,800
5.18							23						23	15,600	38	15,800
5.49							18						18	14,600	35	14,800
5.79							10						10	13,700	32	14,000
5.94							0						0	13,300		
6.10															29	13,200
6.40															26	12,500
6.71															22	11,900
7.01															17	11,300
7.32															9	10,800
7.47															0	10,500

NOTES:
 A) MANUAL FLY SECTION CAPACITIES ARE LIMITED BY ANGLE. DO NOT USE LOAD RADIUS WHEN USING MANUAL FLY SECTION.
 B) RATINGS ABOVE THE BOLD LINE ARE BASED ON THE MACHINE'S HYDRAULIC OR STRUCTURAL STRENGTH AND NOT STABILITY.
 C) RATINGS BELOW THE BOLD LINE ARE BASED ON 85% OF TIPPING.
 D) ALL CAPACITIES ARE IN KILOGRAMS.
 E) TELESCOPE CYLINDERS MUST BE FULLY RETRACTED AND AGAINST STOPS.
 F) BOOM LENGTH IS FROM REAR OF BOOM TO CENTER OF LIFT EYE.

CAUTION!
 DO NOT EXTEND OR RETRACT COUNTERWEIGHT WITH ANY LOAD SUSPENDED ON HOOK OR FORKS.

